

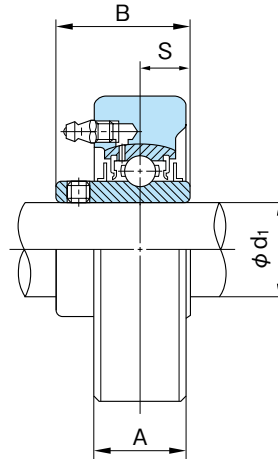
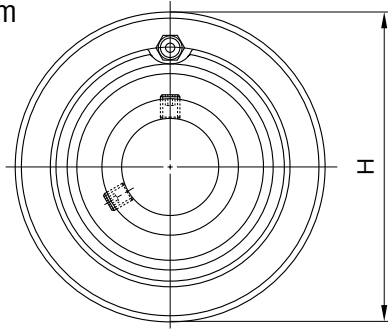
■ Cylindrical Cartridge Units

UCC type

With set screws

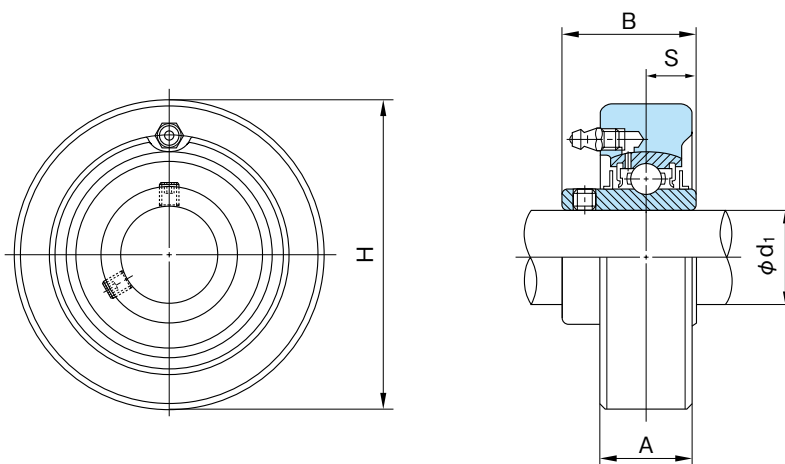
Cylindrical bore

Shaft dia.: 12~140mm



1N=0.102kgf

軸徑 (mm)	連座 軸承 型番	主要寸法 (mm)				Bearings			安裝 螺栓 型番	總重量 (kg)
		H	A	B	S	型番	基本額定荷重(N)			
							Cr	Cor		
12	UCC201	72	20	31	12.7	UC201	12800	6600	C204	0.54
15	UCC202	72	20	31	12.7	UC202	12800	6600	C204	0.52
17	UCC203	72	20	31	12.7	UC203	12800	6600	C204	0.51
20	UCC204	72	20	31	12.7	UC204	12800	6600	C204	0.49
25	UCC205	80	22	34	14.3	UC205	14000	7900	C205	0.65
	UCCX05	90	27	38.1	15.9	UCX05	19600	11300	CX05	1.0
	UCC305	90	26	38	15	UC305	21300	10900	C305	1.1
30	UCC206	85	27	38.1	15.9	UC206	19600	11300	C206	0.82
	UCCX06	100	30	42.9	17.5	UCX06	25900	15400	CX06	1.3
	UCC306	100	28	43	17	UC306	26800	15000	C306	1.3
35	UCC207	90	28	42.9	17.5	UC207	25900	15400	C207	0.93
	UCCX07	110	34	49.2	19	UCX07	29300	17900	CX07	1.9
	UCC307	110	32	48	19	UC307	33500	19200	C307	1.8
40	UCC208	100	30	49.2	19	UC208	29300	17900	C208	1.2
	UCCX08	120	38	49.2	19	UCX08	33000	20500	CX08	2.3
	UCC308	120	34	52	19	UC308	40500	23900	C308	2.2
45	UCC209	110	31	49.2	19	UC209	33000	20500	C209	1.5
	UCCX09	120	38	51.6	19	UCX09	35500	23200	CX09	2.3
	UCC309	130	38	57	22	UC309	51500	29500	C309	2.7
50	UCC210	120	33	51.6	19	UC210	35500	23200	C210	1.9
	UCCX10	130	40	55.6	22.2	UCX10	43000	29400	CX10	2.8
	UCC310	140	40	61	22	UC310	61500	38200	C310	3.3
55	UCC211	125	35	55.6	22.2	UC211	43000	29400	C211	2.1
	UCCX11	150	42	65.1	25.4	UCX11	52500	36100	CX11	4.7
	UCC311	150	44	66	25	UC311	71500	44800	C311	3.9
60	UCC212	130	38	65.1	25.4	UC212	52500	36100	C212	2.5
	UCCX12	160	44	65.1	25.4	UCX12	57500	40000	CX12	5.1
	UCC312	160	46	71	26	UC312	81500	52000	C312	4.8
65	UCC213	140	40	65.1	25.4	UC213	57500	40000	C213	3.0
	UCC313	170	50	75	30	UC313	92500	59700	C313	5.7
70	UCC314	180	52	78	33	UC314	104000	68000	C314	6.6
75	UCC315	190	55	82	32	UC315	114000	76900	C315	7.7
80	UCC316	200	60	86	34	UC316	123000	86400	C316	8.9
85	UCC317	215	64	96	40	UC317	132000	96500	C317	11.2
90	UCC318	225	66	96	40	UC318	143000	107200	C318	12.3
95	UCC319	240	72	103	41	UC319	153000	118400	C319	15.2



1N=0.102kgf

軸徑 (mm)	連座 軸承 型番	主要寸法 (mm)				Bearings			安裝 螺栓 型番	總重量 (kg)
		H	A	B	S	型番	基本額定荷重(N)			
							Cr	Cor		
100	UCC320	260	75	108	42	UC320	173000	140400	C320	19.2
105	UCC321	260	75	112	44	UC321	183000	153100	C321	18.9
110	UCC322	300	80	117	46	UC322	205000	178800	C322	28.1
120	UCC324	320	90	126	51	UC324	207000	184800	C324	35.0
130	UCC326	340	100	135	54	UC326	229000	214300	C326	42.2
140	UCC328	360	100	145	59	UC328	255000	246000	C328	48.9

Remark: Grease nipple: 1/4-28UNF for bore number 13 and under
PF1/8 for bore number 14 and over