

Transformed Rhombic Flange Units

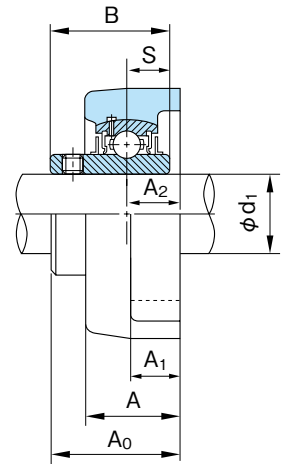
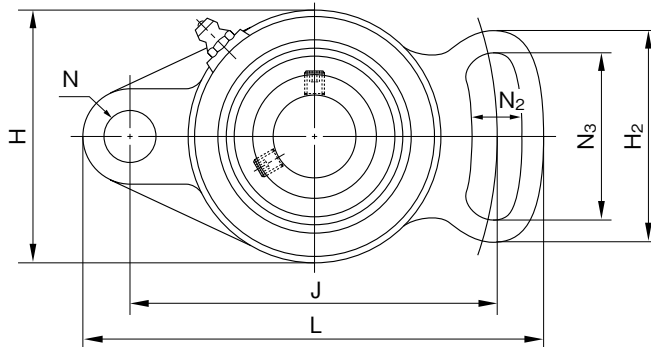
UCFA type

With set screws

Cylindrical bore

Shaft dia.:

12~55mm



軸徑 (mm)	連座軸承型番	主要寸法 (mm)													安裝螺栓型番
		H	H ₂	L	A	J	N	N ₂	N ₃	A ₁	A ₂	A ₀	B	S	
12	UCFA201	60	54	102	25.5	78	10	10	40	12	15	33.3	31	12.7	M 8
15	UCFA202	60	54	102	25.5	78	10	10	40	12	15	33.3	31	12.7	M 8
17	UCFA203	60	54	102	25.5	78	10	10	40	12	15	33.3	31	12.7	M 8
20	UCFA204	60	54	102	25.5	78	10	10	40	12	15	33.3	31	12.7	M 8
25	UCFA205	68	65	125	27	98	12	13	51	14	16	35.7	34	14.3	M10
30	UCFA206	80	72	144	31	117	12	13	58	14	18	40.2	38.1	15.9	M10
35	UCFA207	90	82	161	34	130	14	15	66	16	19	44.4	42.9	17.5	M12
40	UCFA208	100	87	175	36	144	14	15	71	16	21	51.2	49.2	19	M12
45	UCFA209	108	90	181	38	148	16	17	72	18	22	52.2	49.2	19	M14
50	UCFA210	115	94	190	40	157	16	17	76	18	22	54.6	51.6	19	M14
55	UCFA211	130	104	219	43	184	16	17	86	20	25	58.4	55.6	22.2	M14

Remark: Grease nipple: 1/4-28UNF

1N=0.102kgf

型番	軸承部份		軸承座型番	總重量 (kg)
	基本額定荷重(N)			
	Cr	Cor		
UC201	12800	6600	FA204	0.50
UC202	12800	6600	FA204	0.49
UC203	12800	6600	FA204	0.48
UC204	12800	6600	FA204	0.46
UC205	14000	7900	FA205	0.66
UC206	19600	11300	FA206	1.0
UC207	25900	15400	FA207	1.4
UC208	29300	17900	FA208	1.7
UC209	33000	20500	FA209	2.0
UC210	35500	23200	FA210	2.4
UC211	43000	29400	FA211	3.4