

NACHI

## Silver series

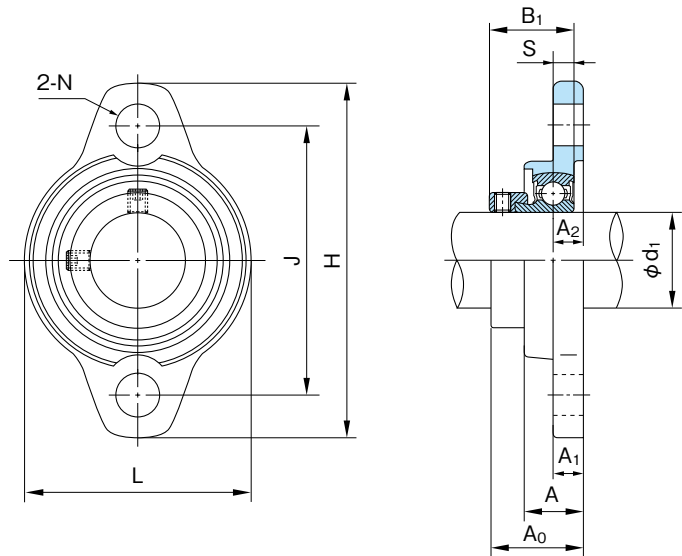
### Rhombic Flange Units

UFL type

With eccentric collar

Cylindrical bore

Shaft dia.: 8~30mm



### UFL type

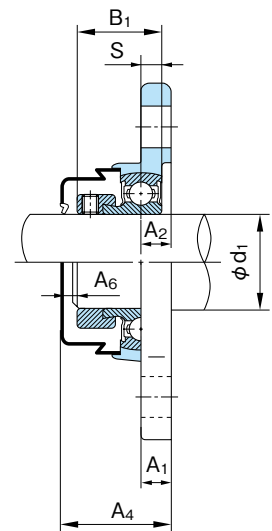
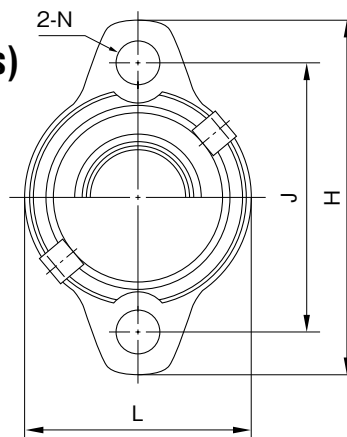
軸徑 (mm)	連座軸承型番	主要寸法 (mm)												安裝螺栓型番
		H	L	A	J	N	A <sub>1</sub>	A <sub>2</sub>	A <sub>0</sub>	B <sub>1</sub>	S	A <sub>4</sub>	A <sub>6</sub>	
10	UFL000	60	36	11.5	45	7	5.5	5.5	19	17.5	4	22	2	M 6
12	UFL001	63	38	11.5	48	7	5.5	5.5	19	17.5	4	22	2	M 6
15	UFL002	67	42	13	53	7	6.5	6.5	20.5	18.5	4.5	24	2	M 6
17	UFL003	71	46	14	56	7	7	7	22.5	20.5	5	26	2	M 6
20	UFL004	90	55	16	71	10	8	8	26.5	24.5	6	31	3	M 8
25	UFL005	95	60	16	75	10	8	8	27.5	25.5	6	32	3	M 8
30	UFL006	112	70	18	85	13	9	9	29	26.5	6.5	34	4	M10
8	UFL 08	48	27	8.5	37	4.8	4	4.5	16	15	3.5	—	—	M 4

Note: (1) Set screw type U08X is also available. Inner ring width B of U08X is 12mm. Dimension A<sub>0</sub> with U08X is 13mm.

### MUFL type (Stainless Silver Series)

軸徑 (mm)	連座軸承型番	主要寸法 (mm)												安裝螺栓型番
		H	L	A	J	N	A <sub>1</sub>	A <sub>2</sub>	A <sub>0</sub>	B <sub>1</sub>	S	A <sub>4</sub>	A <sub>6</sub>	
10	MUFL000	60	36	11.5	45	7	5.5	5.5	19	17.5	4	22	2	M 6
12	MUFL001	63	38	11.5	48	7	5.5	5.5	19	17.5	4	22	2	M 6
15	MUFL002	67	42	13	53	7	6.5	6.5	20.5	18.5	4.5	24	2	M 6
17	MUFL003	71	46	14	56	7	7	7	22.5	20.5	5	26	2	M 6
20	MUFL004	90	55	16	71	10	8	8	26.5	24.5	6	31	3	M 8
25	MUFL005	95	60	16	75	10	8	8	27.5	25.5	6	32	3	M 8
30	MUFL006	112	70	18	85	13	9	9	29	26.5	6.5	34	4	M10

**MUFL type (Stainless Silver Series)**  
**With eccentric collar**  
**Cylindrical bore**  
Shaft dia.: 10~30mm



With steel covers

1N=0.102kgf

型番	軸承部份		軸承座 型番	Unit No. with covers			Cover No. (Reference)		總重量(kg)	
	基本額定荷重(N)			Cover with rubber seal (End cover)	Cover with rubber seal	Side end cover	標準	附鋼製 外蓋		
	Cr	Cor								
U000+ER	4600	2000	FL000	<b>UFL000C(E)</b>	000CP10	000CPE	60	65		
U001+ER	5100	2400	FL001	<b>UFL001C(E)</b>	001CP12	001CPE	76	80		
U002+ER	5600	2800	FL002	<b>UFL002C(E)</b>	002CP15	002CPE	100	105		
U003+ER	6000	3300	FL003	<b>UFL003C(E)</b>	003CP17	003CPE	129	135		
U004+ER	9350	5100	FL04-5	<b>UFL004C(E)</b>	04-5CP20	04-5CPE	205	215		
U005+ER	10100	5800	FL05-6	<b>UFL005C(E)</b>	05-6CP25	05-6CPE	244	255		
U006+ER	13200	8300	FL06-7	<b>UFL006C(E)</b>	06-7CP30	06-7CPE	354	370		
U 08+ER(1)	3300	1360	FL08	—	—	—	30	—		

Remark: Examples of unit numbers with cover: Both covers with rubber seal : UFL005C  
One side end cover : UFL005E

1N=0.102kgf

型番	軸承部份		軸承座 型番	Unit No. with covers			Cover No. (Reference)		總重量(kg)	
	基本額定荷重(N)			Cover with rubber seal (End cover)	Cover with rubber seal	Side end cover	標準	附鋼製 外蓋		
	Cr	Cor								
MU000+ER	3900	1550	FL000Z3	<b>MUFL000C(E)</b>	000CP10	000CPE	60	65		
MU001+ER	4300	1900	FL001Z3	<b>MUFL001C(E)</b>	001CP12	001CPE	76	80		
MU002+ER	4750	2250	FL002Z3	<b>MUFL002C(E)</b>	002CP15	002CPE	100	105		
MU003+ER	5100	2650	FL003Z3	<b>MUFL003C(E)</b>	003CP17	003CPE	129	135		
MU004+ER	7900	4000	FL04-5Z3	<b>MUFL004C(E)</b>	04-5CP20	04-5CPE	205	215		
MU005+ER	8600	4650	FL05-6Z3	<b>MUFL005C(E)</b>	05-6CP25	05-6CPE	244	255		
MU006+ER	11300	6600	FL06-7Z3	<b>MUFL006C(E)</b>	06-7CP30	06-7CPE	354	370		

Remark: Examples of unit numbers with cover: Cover with rubber seal : MUFL005C  
One side end cover : MUFL005E