

Silver series Pillow Block Units

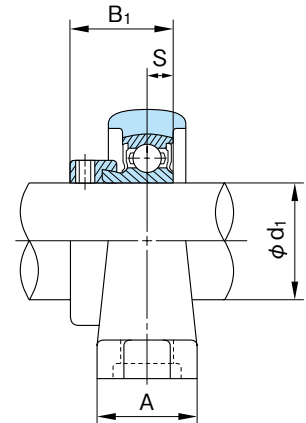
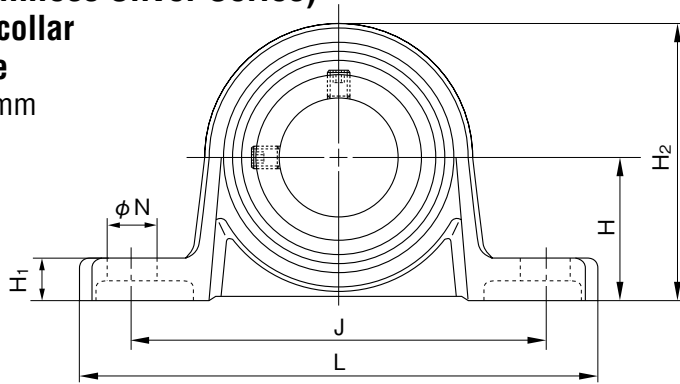
UP type

MUP type (Stainless Silver Series)

With eccentric collar

Cylindrical bore

Shaft dia.: 8~30mm



UP type

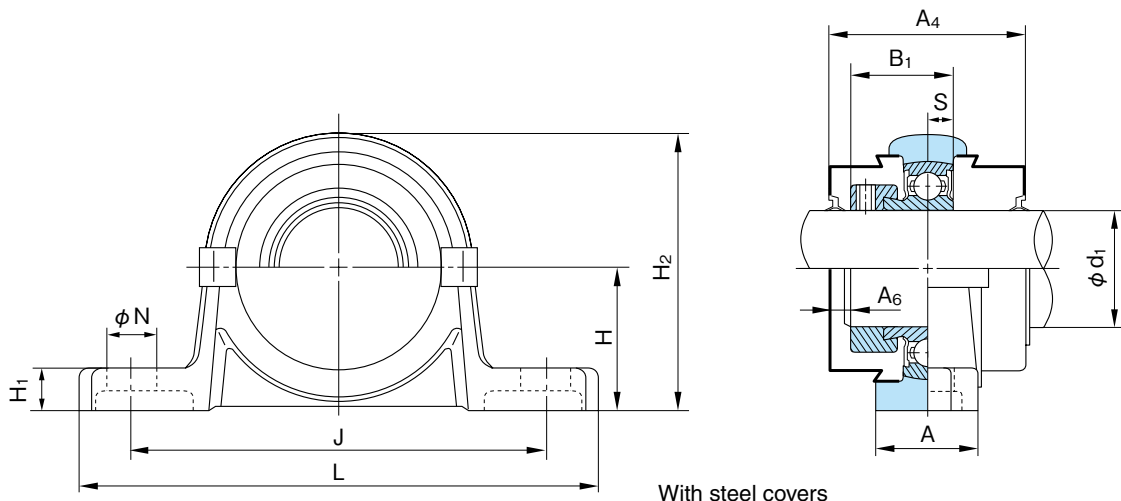
軸徑 (mm)	連座軸承型番	主要寸法 (mm)											安裝螺栓型番
		H	L	A	J	N	H ₁	H ₂	B ₁	S	A ₄	A ₆	
10	UP000	18	67	16	53	7	6	35	17.5	4	33	2	M 6
12	UP001	19	71	16	56	7	6	38	17.5	4	33	2	M 6
15	UP002	22	80	16	63	7	7	43	18.5	4.5	34	2	M 6
17	UP003	24	85	18	67	7	7	47	20.5	5	38	2	M 6
20	UP004	28	100	20	80	10	9	55	24.5	6	46	3	M 8
25	UP005	32	112	20	90	10	10	62	25.5	6	47	3	M 8
30	UP006	36	132	26	106	13	11	70	26.5	6.5	50	4	M10
<i>8</i>	<i>UP 08</i>	<i>15</i>	<i>55</i>	<i>13</i>	<i>42</i>	<i>4.8</i>	<i>5</i>	<i>29</i>	<i>15</i>	<i>3.5</i>	—	—	<i>M 4</i>

Note: (1) Set screw type U08X is also available and the width of inner ring is 12mm.

Remarks: 1. Please contact NACHI for unit numbers appearing in italic.

MUP type (Stainless Silver Series)

軸徑 (mm)	連座軸承型番	主要寸法 (mm)											安裝螺栓型番
		H	L	A	J	N	H ₁	H ₂	B ₁	S	A ₄	A ₆	
10	MUP000	18	67	16	53	7	6	35	17.5	4	33	2	M 6
12	MUP001	19	71	16	56	7	6	38	17.5	4	33	2	M 6
15	MUP002	22	80	16	63	7	7	43	18.5	4.5	34	2	M 6
17	MUP003	24	85	18	67	7	7	47	20.5	5	38	2	M 6
20	MUP004	28	100	20	80	10	9	55	24.5	6	46	3	M 8
25	MUP005	32	112	20	90	10	10	62	25.5	6	47	3	M 8
30	MUP006	36	132	26	106	13	11	70	26.5	6.5	50	4	M10



1N=0.102kgf

型番	軸承部份		軸承座 型番	Unit No. with covers	Cover No. (Reference)			總重量(kg)	
	基本額定荷重(N)				Covers with rubber seal (End cover on one side)	Cover with rubber seal	Side end cover	標準	with steel cover
	Cr	Cor							
U000+ER	4600	2000	P000	UP000C(E)	000CP10	000CPE	77	85	
U001+ER	5100	2400	P001	UP001C(E)	001CP12	001CPE	91	100	
U002+ER	5600	2800	P002	UP002C(E)	002CP15	002CPE	125	135	
U003+ER	6000	3300	P003	UP003C(E)	003CP17	003CPE	156	170	
U004+ER	9350	5100	P04-5	UP004C(E)	04-5CP20	04-5CPE	230	250	
U005+ER	10100	5800	P05-6	UP005C(E)	05-6CP25	05-6CPE	294	315	
U006+ER	13200	8300	P06-7	UP006C(E)	06-7CP30	06-7CPE	454	480	
<i>U08+ER(1)</i>	<i>3300</i>	<i>1260</i>	<i>P08</i>	—	—	—	47	—	

Remarks: 2. Examples of unit numbers with covers: Covers with rubber seal on both sides :UP005C
An end cover and a cover with rubber seal:UP005E

1N=0.102kgf

型番	軸承部份		軸承座 型番	Unit No. with covers	Cover No. (Reference)			總重量(kg)	
	基本額定荷重(N)				Covers with rubber seal (End cover on one side)	Cover with rubber seal	Side end cover	標準	with steel cover
	Cr	Cor							
MU000+ER	3900	1550	P000Z3	MUP000C(E)	000CP10	000CPE	77	85	
MU001+ER	4300	1900	P001Z3	MUP001C(E)	001CP12	001CPE	91	100	
MU002+ER	4750	2250	P002Z3	MUP002C(E)	002CP15	002CPE	125	135	
MU003+ER	5100	2650	P003Z3	MUP003C(E)	003CP17	003CPE	156	170	
MU004+ER	7900	4000	P04-5Z3	MUP004C(E)	04-5CP20	04-5CPE	230	250	
MU005+ER	8600	4650	P05-6Z3	MUP005C(E)	05-6CP25	05-6CPE	294	315	
MU006+ER	11300	6600	P06-7Z3	MUP006C(E)	06-7CP30	06-7CPE	454	480	

Remark : Examples of unit numbers with covers: Covers with rubber seal on both sides :MUP005C
An end cover and a cover with rubber seal:MUP005E