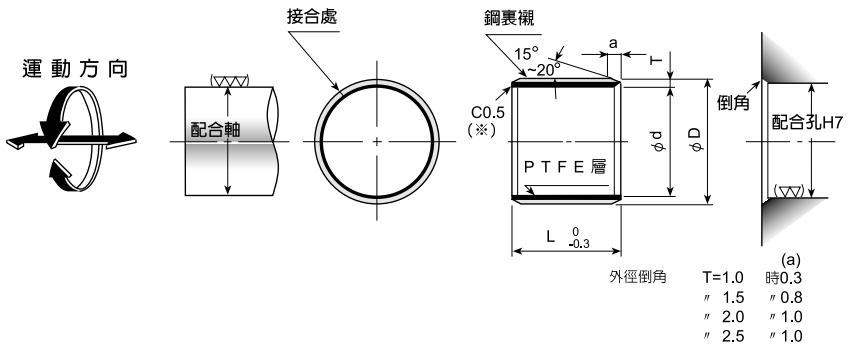


自潤軸承

添加鐵弗龍系



自潤DRYMET LF 襯套(LFB)

襯套 內徑 ∅d	適用尺寸 (mm)		襯套 外徑 ∅D	長度 L 公差 ⁰ _{-0.3}											
	配合軸			配合孔		3	4	5	6	7	8	10	12	15	20
	尺寸	公差		尺寸	公差H7	LFB	LFB	LFB	LFB	LFB	LFB	LFB	LFB	LFB	LFB
3	3	-0.025 -0.034	5	+0.012 0	5	-0303	-0304	-0305	-0306						
4	4	-0.025 -0.037	6	"	6	-0403	-0404	-0405	-0406		-0408				
5	5	"	7	+0.015 0	7	-0503	-0504	-0505	-0506		-0508				
6	6	"	8	"	8	-0603	-0604	-0605	-0606	-0607	-0608	-0610	-0612		
7	7	-0.025 -0.040	9	"	9			-0705	-0706	-0707	-0708	-0710	-0712		
8	8	"	10	"	10			-0805	-0806	-0807	-0808	-0810	-0812	-0815	
9	9	"	11	+0.018 0	11			-0906			-0910				
10	10	"	12	"	12			-1006	-1007	-1008	-1010	-1012	-1015	-1020	
12	12	-0.025 -0.043	14	"	14			-1206		-1208	-1210	-1212	-1215	-1220	
13	13	"	15	"	15					-1308	-1310	-1312	-1315	-1320	
14	14	"	16	"	16						-1410	-1412	-1415	-1420	
15	15	"	17	"	17					-1508	-1510	-1512	-1515	-1520	
16	16	"	18	"	18						-1610	-1612	-1615	-1620	
17	17	"	19	+0.021 0	19						-1710		-1715		
18	18	"	20	"	20						-1810	-1812	-1815	-1820	
19	19	-0.025 -0.046	22	"	22						-1910		-1915	-1920	
20	20	"	23	"	23						-2010	-2012	-2015	-2020	
22	22	"	25	"	25						-2210	-2212	-2215	-2220	
24	24	"	27	"	27								-2415	-2420	
25	25	"	28	"	28						-2510	-2512	-2515	-2520	
26	26	"	30	"	30								-2615	-2620	
28	28	"	32	+0.025 0	32							-2812	-2815	-2820	
30	30	"	34	"	34							-3012	-3015	-3020	
31	31	-0.025 -0.050	35	"	35								-3115		
32	32	"	36	"	36									-3220	
35	35	"	39	"	39							-3512		-3520	
38	38	"	42	"	42									-3820	
40	40	"	44	"	44							-4012	-4015	-4020	
45	45	"	50	"	50									-4520	
50	50	"	55	+0.030 0	55									-5020	
55	55	-0.025 -0.055	60	"	60										
60	60	"	65	"	65										
65	65	+0.035 +0.050	70	"	70										
70	70	"	75	"	75										
75	75	"	80	"	80										
80	80	"	85	+0.035 0	85										
85	85	+0.035 0	90	"	90										
90	90	"	95	"	95										
100	100	"	105	"	105										
110	110	"	115	"	115										
120	120	"	125	+0.040 0	125										
130	130	+0.035 -0.005	135	"	135										
140	140	"	145	"	145										
150	150	"	155	"	155										
160	160	"	165	"	165										

使用注意事項

- 自潤DRYMET LFB的接合處不影響軸的迴轉，但壓入時請避免其承受最大負荷。
- 產品全部為常置在庫品。

長 度 L 公差 $^{+0}_{-0.3}$												內 徑	外 徑
25	30	35	40	50	60	70	80	90	95	100			
LFB	LFB	LFB	LFB	LFB	LFB	LFB	LFB	LFB	LFB	LFB			
												3	5
												4	6
												5	7
												6	8
												7	9
												8	10
												9	11
												10	12
												12	14
												13	15
												14	16
												15	17
												16	18
												17	19
												18	20
												19	22
												20	23
												22	25
												24	27
												25	28
												26	30
												28	32
												30	34
												31	35
												32	36
												35	39
												38	42
												40	44
												45	50
												50	55
												55	60
												60	65
												65	70
												70	75
												75	80
												80	85
												85	90
												90	95
												100	105
												110	115
												120	125
												130	135
												140	145
												150	155
												160	165